

MODEL: AC-C7 UK | **DESCRIPTION:** AC CORD, UNITED KINGDOM

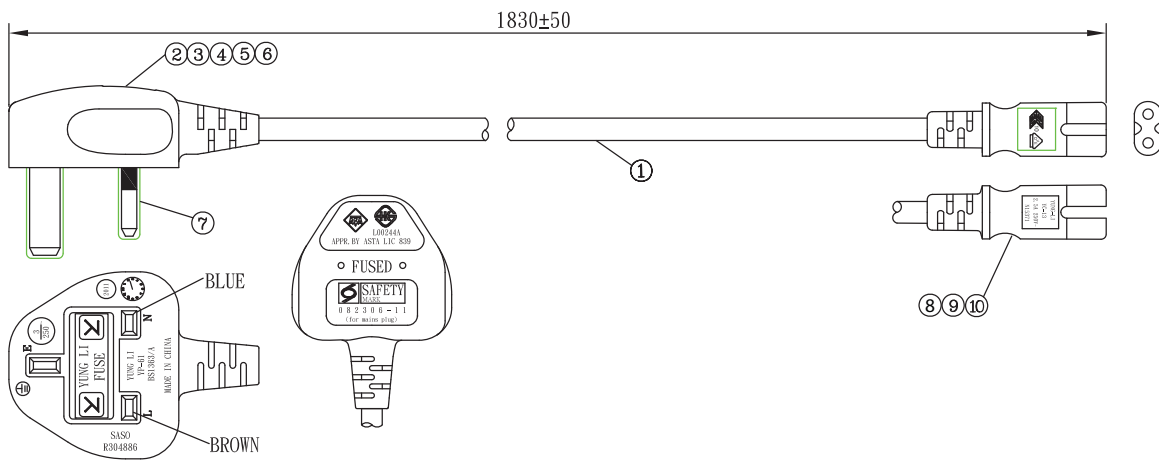


MECHANICAL DRAWING

3/250 ~ BS1363/A (2011)  APPR. BY ASTA LIC 839

 L00244A  SASO R304886 (for main plug)

  N/15371



NO.	SPECIFICATION	Q'TY	REMARK
1	H03VVH2-F 0.75/2C BLACK CONCAVE	1PC	1810±15(YL)
2	YP-61 PVC PLASTIC: 60P BLACK	54G/pc	
3	FRAME: BLACK	1PC	
4	FUSE LID: BLACK	1PC	
5	FRAME LID	1PC	
6	FUSE: 3A	1PC	
7	SLEEVE WHITE	1PC	
8	YC-13 H.S.G.	1PC	
9	YC-13 TER	2PCS	
10	YC-13 PVC PLASTIC: 50P BLACK	9p/PC	

Tolerance
 >0±0.30
 >1.0±0.50
 >10.0±1.0
 >20.0±2.0
 Angle: ±1°

REVISION HISTORY

rev.	description	date
1.0	initial release	08/16/2011

The revision history provided is for informational purposes only and is believed to be accurate.



Headquarters
20050 SW 112th Ave.
Tualatin, OR 97062
800.275.4899

Fax 503.612.2383
cui.com
techsupport@cui.com

CUI offers a one (1) year limited warranty. Complete warranty information is listed on our website.

CUI reserves the right to make changes to the product at any time without notice. Information provided by CUI is believed to be accurate and reliable. However, no responsibility is assumed by CUI for its use, nor for any infringements of patents or other rights of third parties which may result from its use.

CUI products are not authorized or warranted for use as critical components in equipment that requires an extremely high level of reliability. A critical component is any component of a life support device or system whose failure to perform can be reasonably expected to cause the failure of the life support device or system, or to affect its safety or effectiveness.